

**Globe valve, 3-way, Flange, PN 6**

- For closed cold and warm water systems
- For water-side modulating control of air-handling and heating systems


**Type overview**

Type	DN [ ]	kvs [ m <sup>3</sup> /h]	Stroke [ mm]	PN [ ]	Sv min. [ ]
H711R	15	0.63	15	6	50
H712R	15	1	15	6	50
H713R	15	1.6	15	6	50
H714R	15	2.5	15	6	50
H715R	15	4	15	6	50
H720R	20	6.3	15	6	100
H725R	25	10	15	6	100
H732R	32	16	15	6	100
H740R	40	25	15	6	100
H750R	50	40	15	6	100
H764R	65	58	18	6	100
H779R	80	90	18	6	100
H7100R	100	145	30	6	100

**Technical data**

<b>Functional data</b>	Media	Cold and warm water, water with glycol up to max. 50% vol.
	Medium temperature	5...120 °C
	Medium temperature note	-10 °C with stem heating
	Permissible pressure ps	600 kPa
	Flow characteristic	Control path A – AB: equal percentage (VDI/VDE 2173) n(gl) = 3, optimised in the opening range, Bypass B – AB: linear (VDI/VDE 2173)
	Leakage rate	Control path A - AB: max. 0.05% of the kvs value, Bypass B - AB: max. 1% of the kvs value
	Pipe connectors	Flange according to ISO 7005-2 (PN 6)
	Closing point	Top (▲)
	Installation position	Upright to horizontal (in relation to the stem)
	Maintenance	Maintenance-free
<b>Materials</b>	Housing	EN-JL1040 (GG25), with protective paint
	Closing element	Stainless steel
	Stem	Stainless steel
	Stem seal	EPDM O-ring
	Seat	GG25 / Niro (Bypass)

**Safety notes**


- The valve has been designed for use in stationary heating, ventilation and air-conditioning systems and is not allowed to be used outside the specified field of application, especially in aircraft or in any other airborne means of transport.
- Only authorised specialists may carry out installation. All applicable legal or institutional installation regulations must be complied during installation.
- The valve does not contain any parts that can be replaced or repaired by the user.
- The valve may not be disposed of as household refuse. All locally valid regulations and requirements must be observed.

## Safety notes

- When determining the flow rate characteristic of controlled devices, the recognised directives must be observed.

## Product features

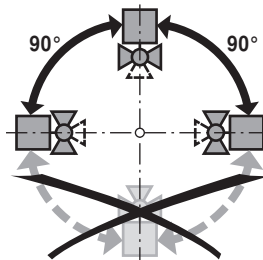
- Mode of operation** The globe valve is adjusted by a globe valve actuator. The actuators are controlled by a commercially available modulating or 3-point control system and move the valve cone, which acts as a mixing device, to the opening position dictated by the positioning signal.
- Flow characteristic** An equal percentage flow characteristic in the flow direction is produced by the profile of the valve cone. The bypass exhibits a linear characteristic curve.

## Accessories

	Description	Type
Electrical accessories	Stem heating DN 15-50 (45W)	ZH24-1
	Stem heating DN 65-100 (60W)	ZH24-1-C

## Installation notes

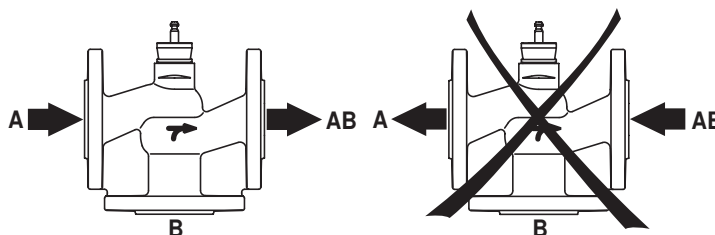
- Recommended installation positions** The globe valve may be mounted upright to horizontal. It is not permissible to mount the globe valves with the spindle pointing downwards.



- Water quality requirements** The water quality requirements specified in VDI 2035 must be adhered to. Belimo valves are regulating devices. For the valves to function correctly in the long term, they must be kept free from particle debris (e.g. welding beads during installation work).  
The installation of suitable strainer is recommended.

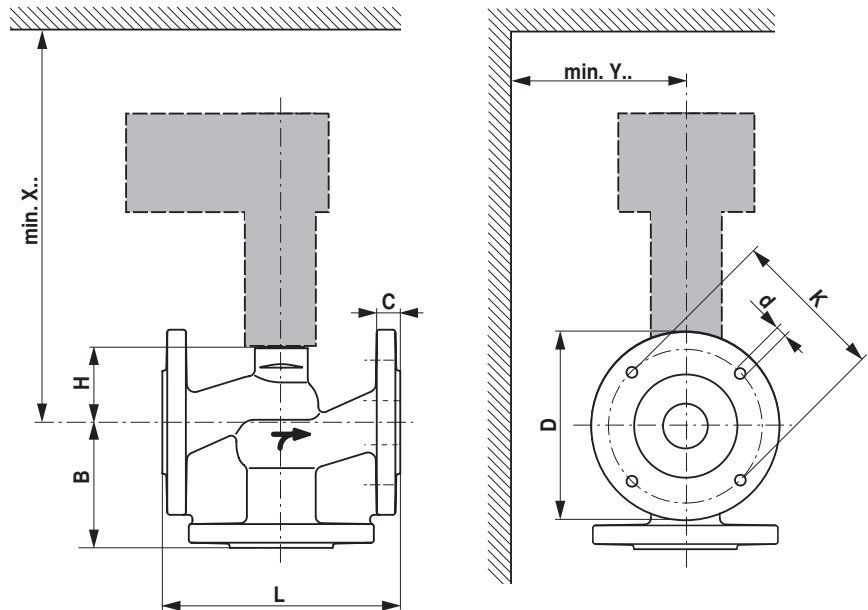
- Maintenance** Globe valves and globe valve actuators are maintenance-free. Before any kind of service work is carried out on the actuator, it is essential to isolate the globe valve actuator from the power supply (by disconnecting the electrical cables if necessary). Any pumps in the part of the piping system concerned must also be switched off and the appropriate shut-off valves closed (allow everything to cool down first if necessary and reduce the system pressure to ambient pressure level). The system must not be returned to service until the globe valve and the globe valve actuator have been mounted properly in accordance with the instructions and the pipes have been refilled in the proper manner.

- Flow direction** The direction of flow, specified by an arrow on the housing, is to be complied with, since otherwise the valve could become damaged.



## Dimensions / Weight

Dimensional drawings



X/Y: Minimum distance with respect to the valve centre.  
The actuator dimensions can be found on the respective actuator data sheet.

Type	DN [ ]	L [ mm]	B [ mm]	H [ mm]	C [ mm]	D [ mm]	d [ mm]	K [ mm]	X [ mm]	Y [ mm]	Weight approx. [ kg]
H711R	15	130	65	46	12	80	4 x 11	55	290	100	2.6
H712R	15	130	65	46	12	80	4 x 11	55	290	100	2.6
H713R	15	130	65	46	12	80	4 x 11	55	290	100	2.6
H714R	15	130	65	46	12	80	4 x 11	55	290	100	2.6
H715R	15	130	65	46	12	80	4 x 11	55	290	100	2.6
H720R	20	150	70	46	14	90	4 x 11	65	290	100	3.2
H725R	25	160	75	52	14	100	4 x 11	75	300	100	4.1
H732R	32	180	95	56	16	120	4 x 14	90	300	100	5.6
H740R	40	200	100	64	16	130	4 x 14	100	310	100	7.5
H750R	50	230	100	64	16	140	4 x 14	110	310	100	8.6
H764R	65	290	120	100	16	160	4 x 14	130	350	100	14.2
H779R	80	310	130	110	18	190	4 x 18	150	360	100	19.8
H7100R	100	350	150	125	18	210	4 x 18	170	475	120	27

## Further documentation

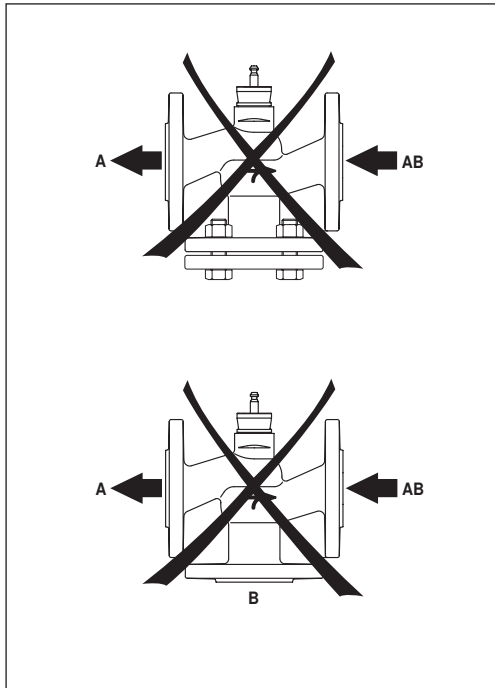
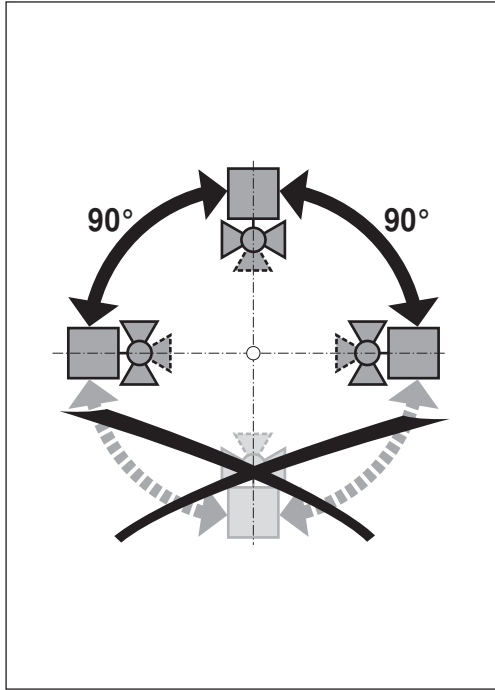
- Overview Valve-actuator combinations
- Data sheets for globe valve actuators
- Installation instructions for valves and/or globe valve actuators
- Notes for project planning 2-way and 3-way globe valves

**BELIMO**

H6..R

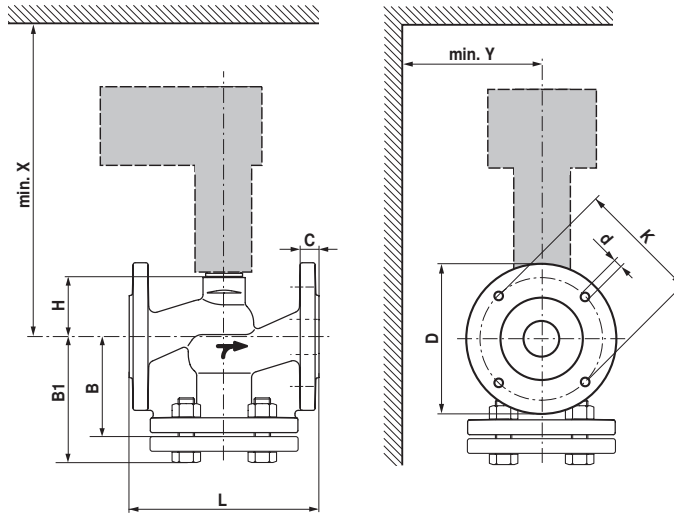


H7..R



71556-00001.A





## H6..R / H7..R

ps <600 kPa (PN6) t= +5... +120°C		H6..R		H7..R		LV..A.. 500N		NV..A.. 1000N		SV..A.. 1500N		AV..A.. 2000N		EV..A.. 2500N		RV..A.. 4500N									
DN	Hub / Stroke [mm]		B1 [mm]		B [mm]	$\Delta ps$ [kPa]	$\Delta pmax$ [kPa]	$\Delta ps$ [kPa]	$\Delta pmax$ [kPa]	$\Delta ps$ [kPa]	$\Delta pmax$ [kPa]	$\Delta ps$ [kPa]	$\Delta pmax$ [kPa]	$\Delta ps$ [kPa]	$\Delta pmax$ [kPa]	$\Delta ps$ [kPa]	$\Delta pmax$ [kPa]	L [mm]	H [mm]	D [mm]	K [mm]	d [mm]	C [mm]	X [mm]	Y [mm]
15	15	H611R ... 15R	86	H711R ... 15R	65	600	400	600	400	600	400							130	46	80	55	4 x 11	12	290	100
20	15	H620R	93	H720R	70	600	400	600	400	600	400							150	46	90	65	4 x 11	14	290	100
25	15	H625R	98	H725R	75	500	400	600	400	600	400							160	52	100	75	4 x 11	14	300	100
32	15	H632R	119	H732R	95	350	350	600	400	600	400							180	56	120	90	4 x 14	16	300	100
40	15	H640R	124	H740R	100	150	150	500	400	600	400							200	64	130	100	4 x 14	16	310	100
50	15	H650R	124	H750R	100	70	70	300	300	550	400							230	64	140	110	4 x 14	16	310	100
65	18	H664R	144	H764R	120			140	140	280	280							290	100	160	130	4 x 14	16	350	100
80	18	H679R	158	H779R	130			80	80	160	160							310	110	190	150	4 x 18	18	360	100
100	30	H6100R	178	H7100R	150							150	150	200	200	450	400	350	125	210	170	4 x 18	18	475	120